

# SN74LS156

## Dual 1-of-4 Decoder/ Demultiplexer

The SN74LS156 is a high speed Dual 1-of-4 Decoder/Demultiplexer. This device has two decoders with common 2-bit Address inputs and separate gated Enable inputs. Decoder "a" has an Enable gate with one active HIGH and one active LOW input. Decoder "b" has two active LOW Enable inputs. If the Enable functions are satisfied, one output of each decoder will be LOW as selected by the address inputs. The LS156 has open collector outputs for wired-OR (DOT-AND) decoding and function generator applications.

The LS156 is fabricated with the Schottky barrier diode process for high speed and are completely compatible with all ON Semiconductor TTL families.

- Schottky Process for High Speed
- Multifunction Capability
- Common Address Inputs
- True or Complement Data Demultiplexing
- Input Clamp Diodes Limit High Speed Termination Effects
- ESD > 3500 Volts

### GUARANTEED OPERATING RANGES

Symbol	Parameter	Min	Typ	Max	Unit
V <sub>CC</sub>	Supply Voltage	4.75	5.0	5.25	V
T <sub>A</sub>	Operating Ambient Temperature Range	0	25	70	°C
V <sub>OH</sub>	Output Voltage – High			5.5	V
I <sub>OL</sub>	Output Current – Low			8.0	mA

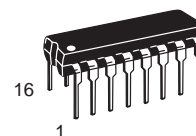


**ON Semiconductor**

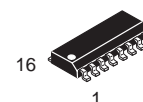
Formerly a Division of Motorola

<http://onsemi.com>

### LS156–OPEN–COLLECTOR LOW POWER SCHOTTKY



PLASTIC  
N SUFFIX  
CASE 648



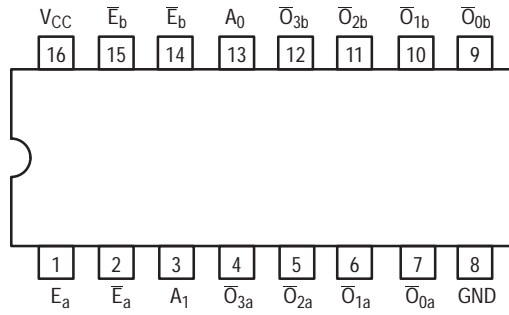
SOIC  
D SUFFIX  
CASE 751B

### ORDERING INFORMATION

Device	Package	Shipping
SN74LS156N	16 Pin DIP	2000 Units/Box
SN74LS156D	16 Pin	2500/Tape & Reel

# SN74LS156

## CONNECTION DIAGRAM DIP (TOP VIEW)



NOTE:  
The Flatpak version has the same pinouts (Connection Diagram) as the Dual In-Line Package.

### PIN NAMES

$A_0, A_1$	Address Inputs
$\bar{E}_a, \bar{E}_b$	Enable (Active LOW) Inputs
$E_a$	Enable (Active HIGH) Input
$\bar{O}_0 - \bar{O}_3$	Active LOW Outputs

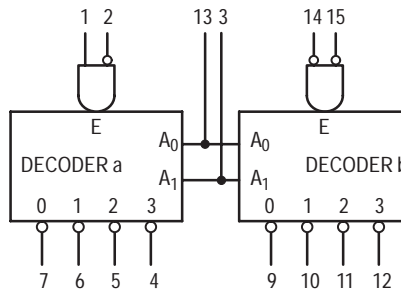
### LOADING (Note a)

	HIGH	LOW
$A_0, A_1$	0.5 U.L.	0.25 U.L.
$\bar{E}_a, \bar{E}_b$	0.5 U.L.	0.25 U.L.
$E_a$	0.5 U.L.	0.25 U.L.
$\bar{O}_0 - \bar{O}_3$	10 U.L.	5 U.L.

### NOTES:

a) 1 TTL Unit Load (U.L.) = 40  $\mu$ A HIGH/1.6 mA LOW.

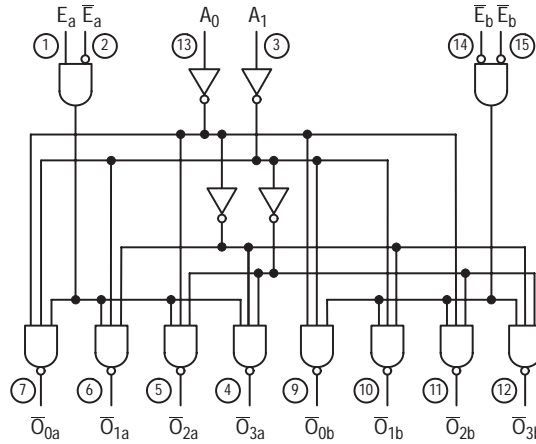
### LOGIC SYMBOL



$V_{CC}$  = PIN 16  
GND = PIN 8

# SN74LS156

## LOGIC DIAGRAM



$V_{CC}$  = PIN 16  
 GND = PIN 8  
 ○ = PIN NUMBERS

### FUNCTIONAL DESCRIPTION

The LS156 is a Dual 1-of-4 Decoder/Demultiplexer with common Address inputs and separate gated Enable inputs. When enabled, each decoder section accepts the binary weighted Address inputs ( $A_0$ ,  $A_1$ ) and provides four mutually exclusive active LOW outputs ( $\bar{O}_0$ – $\bar{O}_3$ ). If the Enable requirements of each decoder are not met, all outputs of that decoder are HIGH.

Each decoder section has a 2-input enable gate. The enable gate for Decoder “a” requires one active HIGH input and one active LOW input ( $E_a \cdot \bar{E}_a$ ). In demultiplexing applications, Decoder “a” can accept either true or complemented data by using the  $\bar{E}_a$  or  $E_a$  inputs respectively. The enable gate for Decoder “b” requires two active LOW inputs ( $\bar{E}_b \cdot \bar{E}_b$ ). The LS155 or LS156 can be used as a 1-of-8 Decoder/Demultiplexer by tying  $E_a$  to  $\bar{E}_b$  and relabeling the common connection as ( $A_2$ ). The other  $\bar{E}_b$  and  $\bar{E}_a$  are connected together to form the common enable.

The LS156 can be used to generate all four minterms of two variables. These four minterms are useful in some applications replacing multiple gate functions as shown in

Fig. a. The LS156 has the further advantage of being able to AND the minterm functions by tying outputs together. Any number of terms can be wired-AND as shown below.

$$f = (E + A_0 + A_1) \cdot (E + \bar{A}_0 + A_1) \cdot (E + A_0 + \bar{A}_1) \cdot (E + \bar{A}_0 + \bar{A}_1)$$

where  $E = E_a + \bar{E}_a$ ;  $E = E_b + \bar{E}_b$

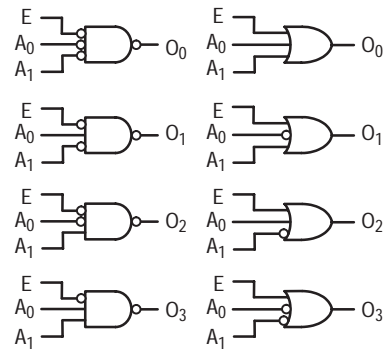


Figure a

### TRUTH TABLE

ADDRESS		ENABLE “a”		OUTPUT “a”				ENABLE “b”		OUTPUT “b”			
$A_0$	$A_1$	$E_a$	$\bar{E}_a$	$\bar{O}_0$	$\bar{O}_1$	$\bar{O}_2$	$\bar{O}_3$	$\bar{E}_b$	$E_b$	$\bar{O}_0$	$\bar{O}_1$	$\bar{O}_2$	$\bar{O}_3$
X	X	L	X	H	H	H	H	H	X	H	H	H	H
X	X	X	H	H	H	H	H	X	H	H	H	H	H
L	L	H	L	L	H	H	H	L	L	L	H	H	H
H	L	H	L	H	L	H	H	L	L	H	L	H	H
L	H	H	L	H	H	L	H	L	L	H	H	L	H
H	H	H	L	H	H	H	L	L	L	H	H	H	L

H = HIGH Voltage Level  
 L = LOW Voltage Level  
 X = Don't Care

# SN74LS156

## DC CHARACTERISTICS OVER OPERATING TEMPERATURE RANGE (unless otherwise specified)

Symbol	Parameter	Limits			Unit	Test Conditions
		Min	Typ	Max		
$V_{IH}$	Input HIGH Voltage	2.0			V	Guaranteed Input HIGH Voltage for All Inputs
$V_{IL}$	Input LOW Voltage			0.8	V	Guaranteed Input LOW Voltage for All Inputs
$V_{IK}$	Input Clamp Diode Voltage		-0.65	-1.5	V	$V_{CC} = \text{MIN}$ , $I_{IN} = -18 \text{ mA}$
$I_{OH}$	Output HIGH Current			100	$\mu\text{A}$	$V_{CC} = \text{MIN}$ , $V_{OH} = \text{MAX}$
$V_{OL}$	Output LOW Voltage		0.25	0.4	V	$I_{OL} = 4.0 \text{ mA}$
			0.35	0.5	V	$I_{OL} = 8.0 \text{ mA}$
$I_{IH}$	Input HIGH Current			20	$\mu\text{A}$	$V_{CC} = \text{MAX}$ , $V_{IN} = 2.7 \text{ V}$
				0.1	mA	$V_{CC} = \text{MAX}$ , $V_{IN} = 7.0 \text{ V}$
$I_{IL}$	Input LOW Current			-0.4	mA	$V_{CC} = \text{MAX}$ , $V_{IN} = 0.4 \text{ V}$
$I_{CC}$	Power Supply Current			10	mA	$V_{CC} = \text{MAX}$

## AC CHARACTERISTICS ( $T_A = 25^\circ\text{C}$ )

Symbol	Parameter	Limits			Unit	Test Conditions
		Min	Typ	Max		
$t_{PLH}$ $t_{PHL}$	Propagation Delay Address, $\bar{E}_a$ or $\bar{E}_b$ to Output		25 34	40 51	ns	Figure 1
$t_{PLH}$ $t_{PHL}$	Propagation Delay Address to Output		31 34	46 51	ns	Figure 2
$t_{PLH}$ $t_{PHL}$	Propagation Delay $E_a$ to Output		32 32	48 48	ns	Figure 1

$V_{CC} = 5.0 \text{ V}$   
 $C_L = 15 \text{ pF}$   
 $R_L = 2.0 \text{ k}\Omega$

## AC WAVEFORMS

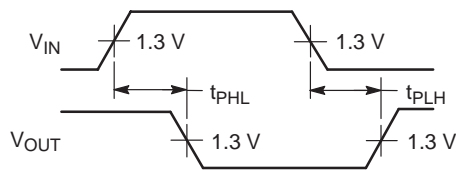


Figure 1.

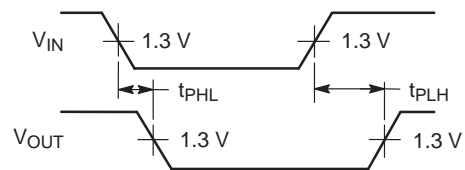


Figure 2.